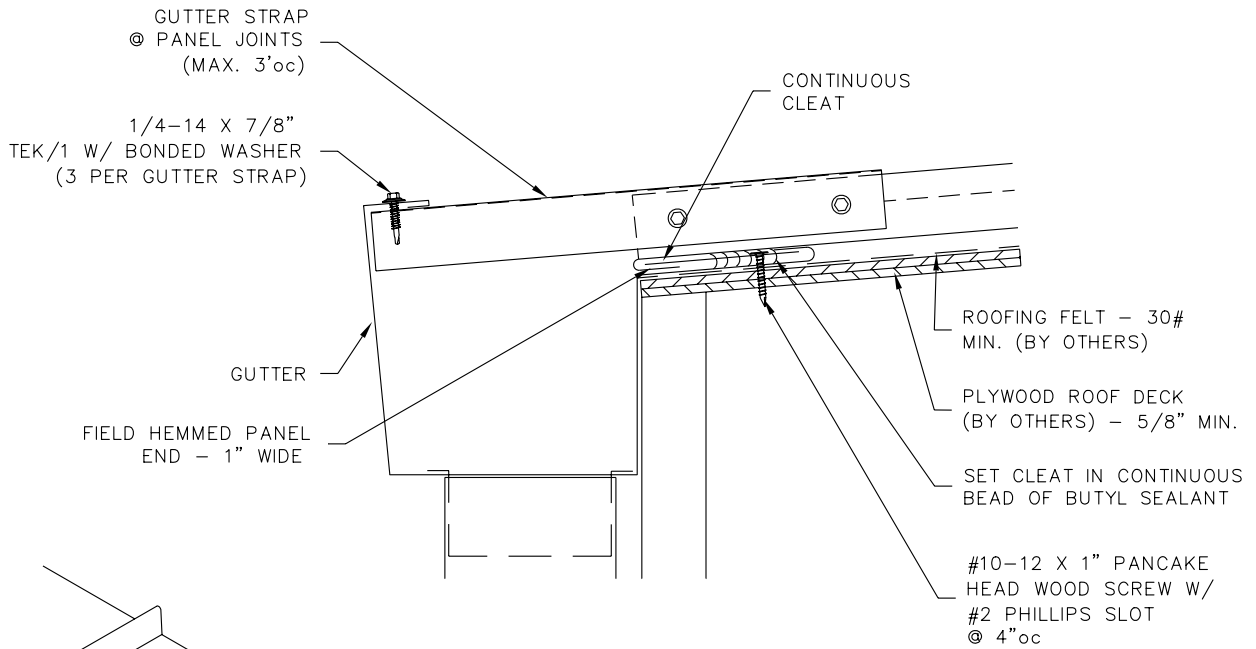


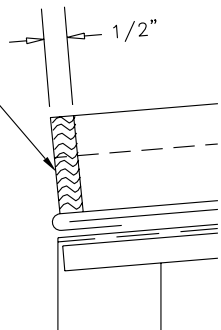
Schlebach Quadro

LOW EAVE / GUTTER

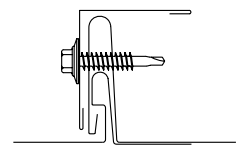
- 1.) Temporarily attach gutter at ends w/ #10-12 x 1" pancake head wood screws
- 2.) Apply butyl sealant across top of gutter as shown.
- 3.) Attach cleat through sealant w/ #10-12 x 1" pancake head wood screws @ 4"oc.
- 4.) Apply a second bead of butyl sealant across the top of the cleat, and over the fastener heads.
- 5.) Install panels so that the cleat is engaged into the field applied hem.



CREATE PANEL END CLOSURE W/ DOW 795 MOISTURE-CURE SILICONE SEALANT



PANEL END SEALANT



GUTTER STRAP DETAIL

