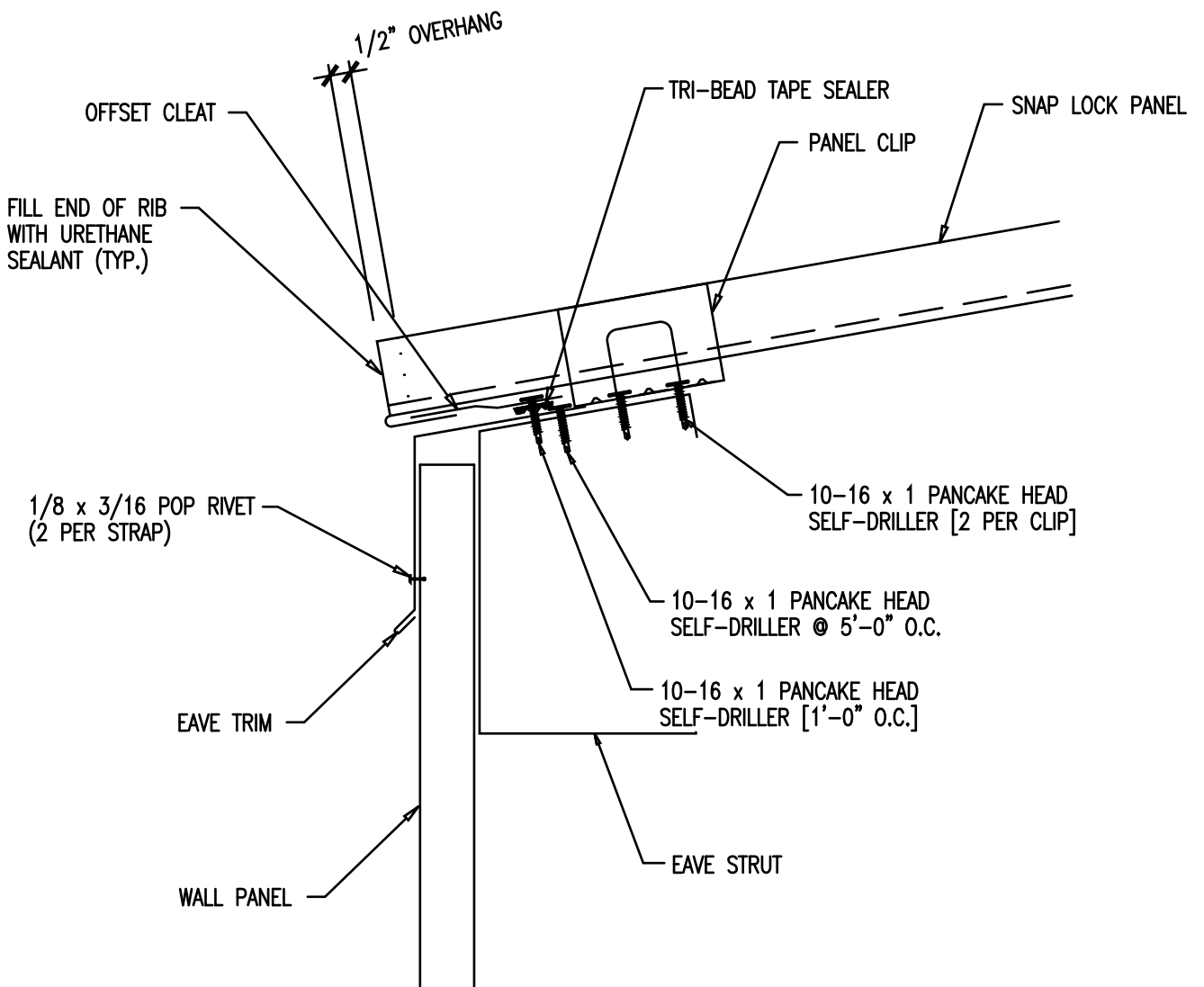
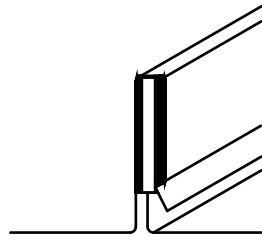


FIELD NOTCH PANEL
LEGS AND BEND PAN
TO FORM OPEN HEM



FLAOTING EAVE

NOVEMBER
2005

**METALFORMING
ARCHITECTURAL MACHINES**

FLE-1