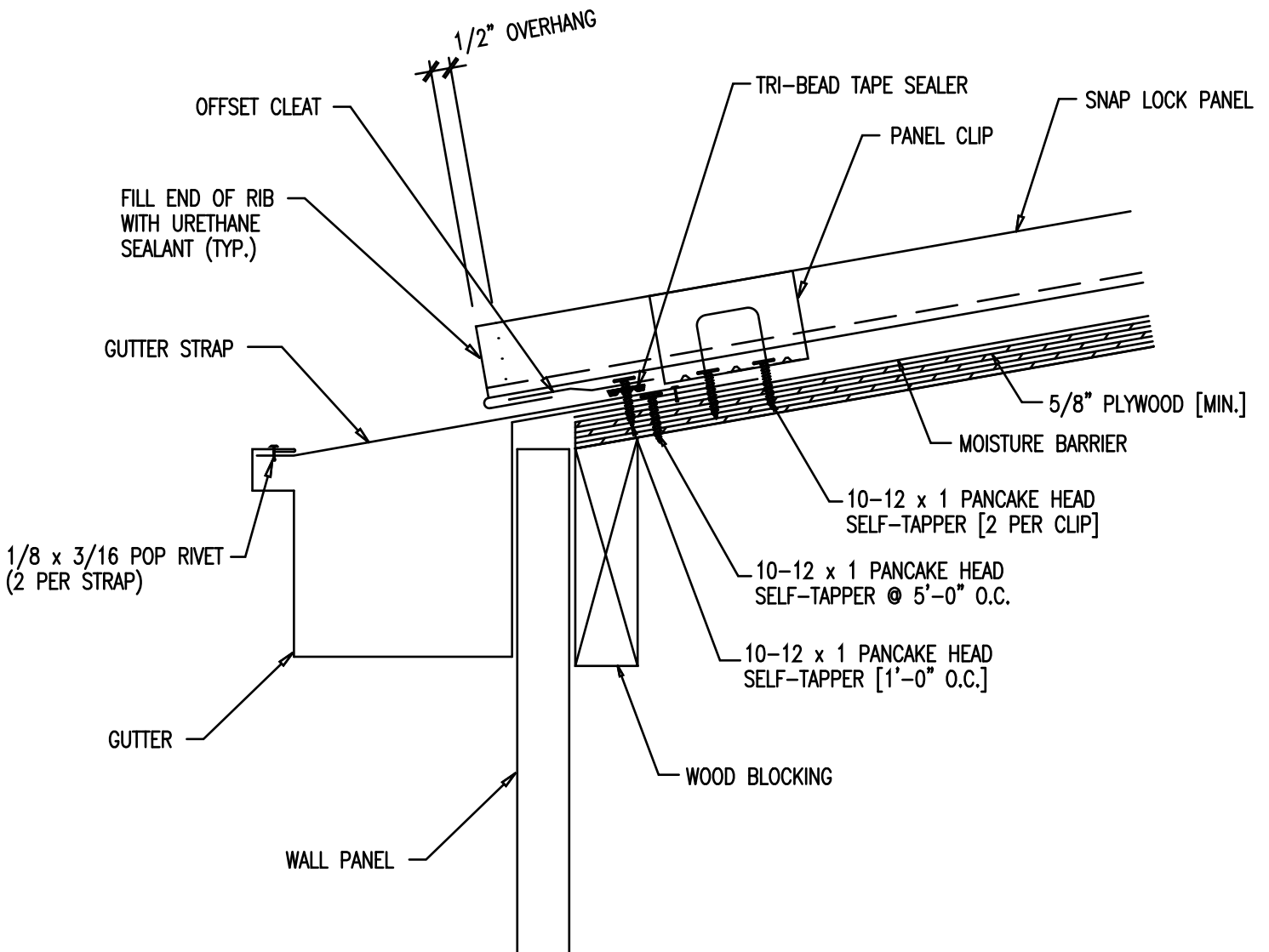
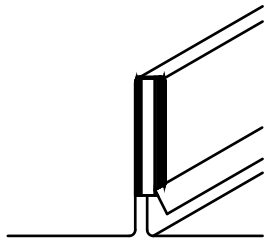


FIELD NOTCH PANEL
LEGS AND BEND PAN
TO FORM OPEN HEM



FLAOTING EAVE W/GUTTER

JANUARY
2006

**METALFORMING
ARCHITECTURAL MACHINES**

PFLEGU-1