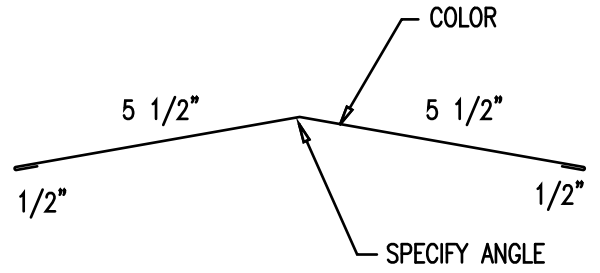


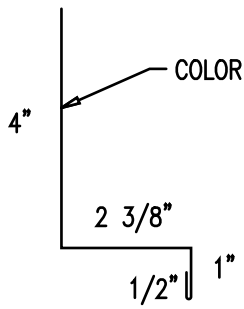
SPECIFY ROOF SLOPE

HIGH PAPAPET TRIM x 10'-2"  
S/O = 11 5/8"

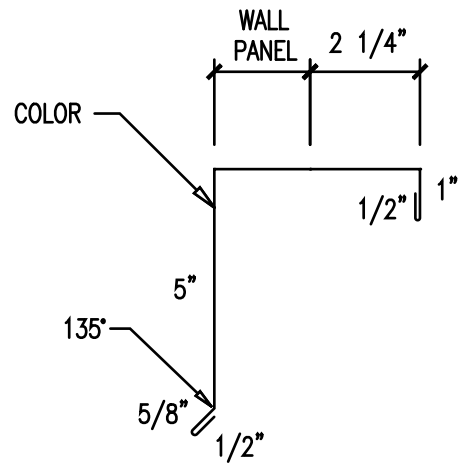


SPECIFY ROOF SLOPE

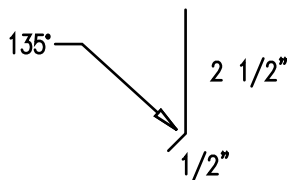
HIP FLASHING x 10'-2"  
S/O = 12"



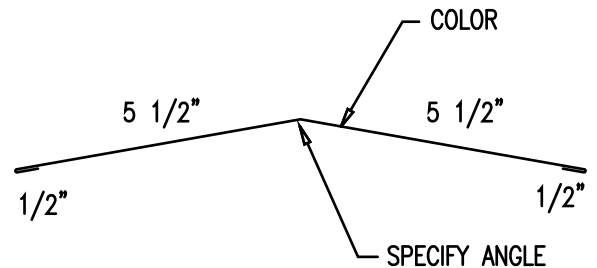
RAKE PARAPET TRIM x 10'-2"  
S/O = 7 7/8"



BOX RAKE TRIM x 10'-2"  
S/O = 7 5/8" PLUS WALL PANEL



CONTINUOUS CLEAT x 10'-2"  
S/O = 3"



SPECIFY ROOF SLOPE

RIDGE FLASHING x 10'-2"  
S/O = 10"

**TRIM DETAILS**

NOVEMBER  
2005

**METALFORMING  
ARCHITECTURAL MACHINES**

**TR-2**