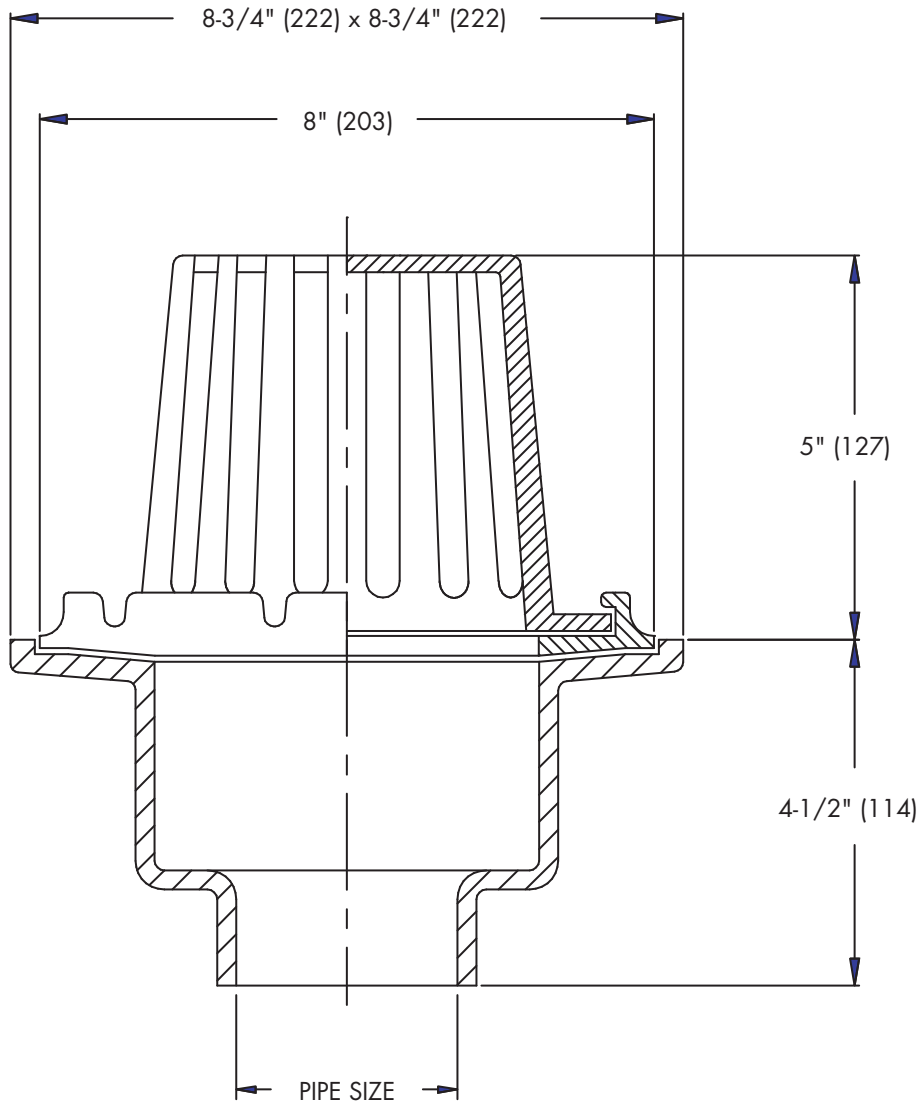




RD-280
Tag: _____

**Flanged Cast Iron
Roof Drain**

SPECIFICATION: Drainage RD-280 cast iron roof drain with deck flange, drain body, flashing clamp with integral gravel guard, self-locking cast iron dome, and no hub outlet.



| Pipe Sizing (Select One) | | |
|--------------------------|-------------------|--------------------------|
| Suffix | Description | |
| 3 | 3"(76) Pipe Size | <input type="checkbox"/> |
| 4 | 4"(102) Pipe Size | <input type="checkbox"/> |

| Option | | |
|--------|-----------------------|--------------------------|
| Suffix | Description | |
| -L | Vandal Proof Dome | <input type="checkbox"/> |
| -R | 2" External Water Dam | <input type="checkbox"/> |

**Deck Opening:
8-3/8"(213) Diameter**

Job Name _____ Contractor _____

Job Location _____ Contractor's P.O. No. _____

Engineer _____ Representative _____

Marathon Roofing Products reserves the right to modify or change product design or construction without prior notice and without incurring any obligation to make similar changes and modifications to products previously or subsequently sold. See your Marathon representative for any clarification. Dimensions are subject to manufacturing tolerances.



3310 N. BENZING ROAD • ORCHARD PARK, NY 14127-1538 • PH: (716) 332-7673 • FX: (716) 332-7676
TOLL-FREE: 800-828-8424 • EMAIL: MRP@MARATHONDRAINS.COM • WEB: WWW.MARATHONDRAINS.COM