

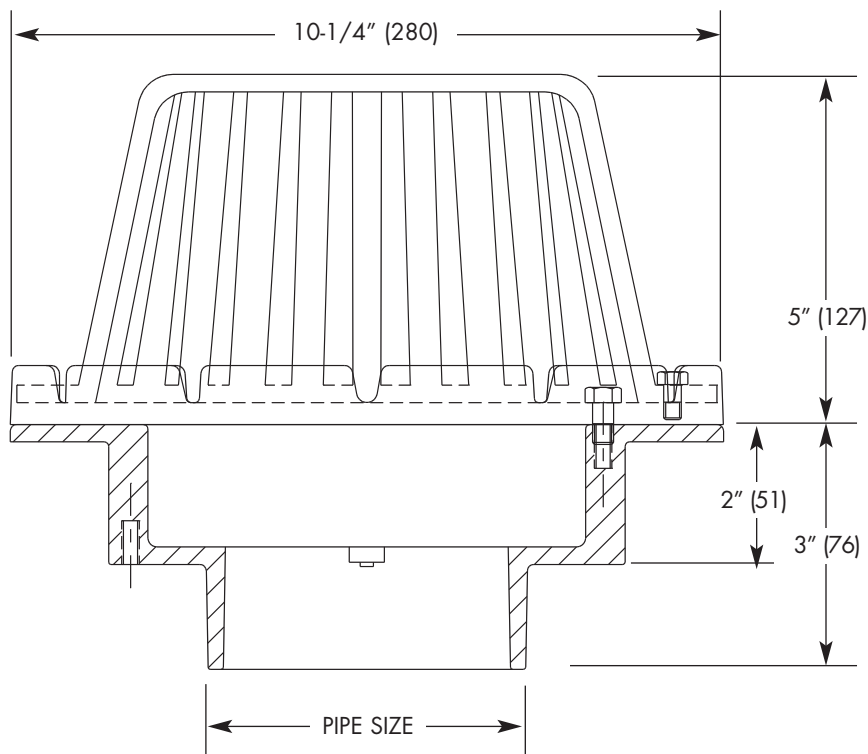


**RD1**

**10" Dia. Roof Drain**

Tag: \_\_\_\_\_

**SPECIFICATION:** RD1 PVC, ABS, or cast iron roof drain with aluminum alloy flashing clamp, and secured poly or cast iron dome.



Pipe Sizing (Select One)		
Suffix	Description	
-2PVC	2" PVC	<input type="checkbox"/>
-2ABS	2" ABS	<input type="checkbox"/>
-2NH	2" No Hub	<input type="checkbox"/>
-3PVC	3" PVC	<input type="checkbox"/>
-3ABS	3" ABS	<input type="checkbox"/>
-3NH	3" No Hub	<input type="checkbox"/>
-4PVC	4" PVC	<input type="checkbox"/>
-4ABS	4" ABS	<input type="checkbox"/>
-4NH	4" No Hub	<input type="checkbox"/>

Options (Select One or More)		
Suffix	Description	
-D	Deck Clamp	<input type="checkbox"/>
-E	Adjustable Extension	<input type="checkbox"/>
-GG	SS Gravel Guard	<input type="checkbox"/>
-M	Cast Iron Dome	<input type="checkbox"/>
-P	Sump Receiver	<input type="checkbox"/>
-R	2" External Overflow Dam	<input type="checkbox"/>
-VP	Vandal Proof Screws	<input type="checkbox"/>
-X	Flotrol Device	<input type="checkbox"/>
2DP	Poly Dome Only	<input type="checkbox"/>
2D	Cast Iron Dome Only	<input type="checkbox"/>

Job Name \_\_\_\_\_ Contractor \_\_\_\_\_

Job Location \_\_\_\_\_ Contractor's P.O. No. \_\_\_\_\_

Engineer \_\_\_\_\_ Representative \_\_\_\_\_

Marathon Roofing Products reserves the right to modify or change product design or construction without prior notice and without incurring any obligation to make similar changes and modifications to products previously or subsequently sold. See your Marathon representative for any clarification. Dimensions are subject to manufacturing tolerances.



3310 N. BENZING ROAD • ORCHARD PARK, NY 14127-1538 • PH: (716) 332-7673 • FX: (716) 332-7676  
 TOLL-FREE: 800-828-8424 • EMAIL: MRP@MARATHONDRAINS.COM • WEB: WWW.MARATHONDRAINS.COM