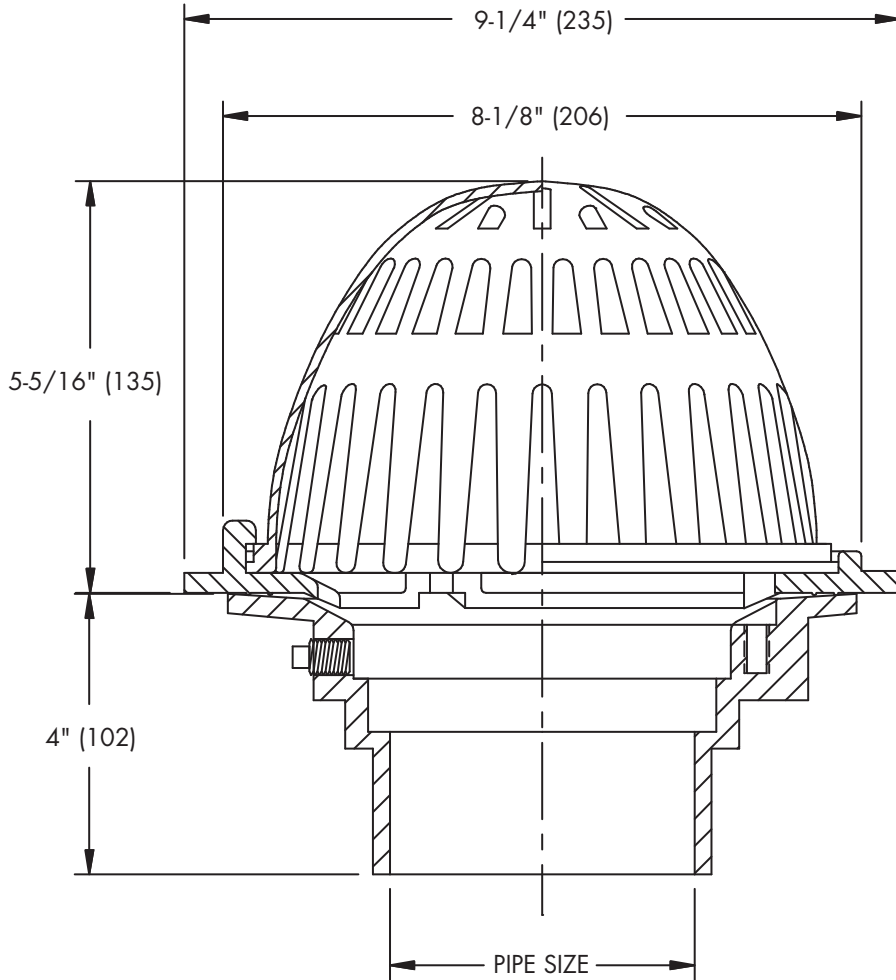




Tag: **RD-200** _____

Small Area Roof Drain

SPECIFICATION: Drainage RD-200 epoxy coated cast iron roof drain with flashing clamp with integral gravel stop, self-locking polyethylene dome, and no hub (standard) outlet.



Free Area Sq. In.
35

Chart B

	Std.	P	T	X	60/61
Pipe Size	No Hub	Push On	Female Thread	Inside Caulk	PVC/ABS
2"(51)	3-5/8"(92)	4-1/4"(108)	4-1/4"(108)	4-1/4"(108)	3-3/4"(95)
3"(76)	3-5/8"(92)	4-1/4"(108)	4-1/4"(108)	4-1/4"(108)	3-5/8"(92)
4"(102)	3-5/8"(92)	4-1/4"(108)	4-1/4"(108)	4-1/4"(108)	3-7/8"(94)

Components	
B3	B3-FLG
B3-DM	FC-2

Pipe Sizing (Select One)		
Suffix	Description	
2	2"(51) Pipe Size	<input type="checkbox"/>
3	3"(76) Pipe Size	<input type="checkbox"/>
4	4"(102) Pipe Size	<input type="checkbox"/>

Outlet Type (Select One)		
Suffix	Description	
NH	No Hub (M)	<input type="checkbox"/>
P	Push On	<input type="checkbox"/>
T	Threaded Outlet	<input type="checkbox"/>
X	Inside Caulk	<input type="checkbox"/>

Options (Select One or More)		
Suffix	Description	
-13	Galvanized Body & Flashing Clamp	<input type="checkbox"/>
-B	Sump Receiver	<input type="checkbox"/>
-D	Underdeck Clamp	<input type="checkbox"/>
-F	Adjustable Extension Flange	<input type="checkbox"/>
-GSS	Stainless Steel Ballast Guard	<input type="checkbox"/>
-K	Ductile Iron Dome	<input type="checkbox"/>
-K80	Aluminum Dome	<input type="checkbox"/>
-K81	Rough Bronze Dome	<input type="checkbox"/>
-L	Vandal Proof Dome	<input type="checkbox"/>
-R	2" External Water Dam	<input type="checkbox"/>
-SO	Side Outlet	<input type="checkbox"/>
-US	Buy American Compliant	<input type="checkbox"/>
-W	Adjustable Internal Water Dam	<input type="checkbox"/>

Optional Body Material		
Suffix	Description	
-60	PVC Body w/Socket Outlet	<input type="checkbox"/>
-61	ABS Body w/Socket Outlet	<input type="checkbox"/>

**Deck opening 6-1/2"(165)
with sump receiver 8"(203)**

Job Name _____ Contractor _____

Job Location _____ Contractor's P.O. No. _____

Engineer _____ Representative _____

Marathon Roofing Products reserves the right to modify or change product design or construction without prior notice and without incurring any obligation to make similar changes and modifications to products previously or subsequently sold. See your Marathon representative for any clarification. Dimensions are subject to manufacturing tolerances.



3310 N. BENZING ROAD • ORCHARD PARK, NY 14127-1538 • PH: (716) 332-7673 • FX: (716) 332-7676
TOLL-FREE: 800-828-8424 • EMAIL: MRP@MARATHONDRAINS.COM • WEB: WWW.MARATHONDRAINS.COM