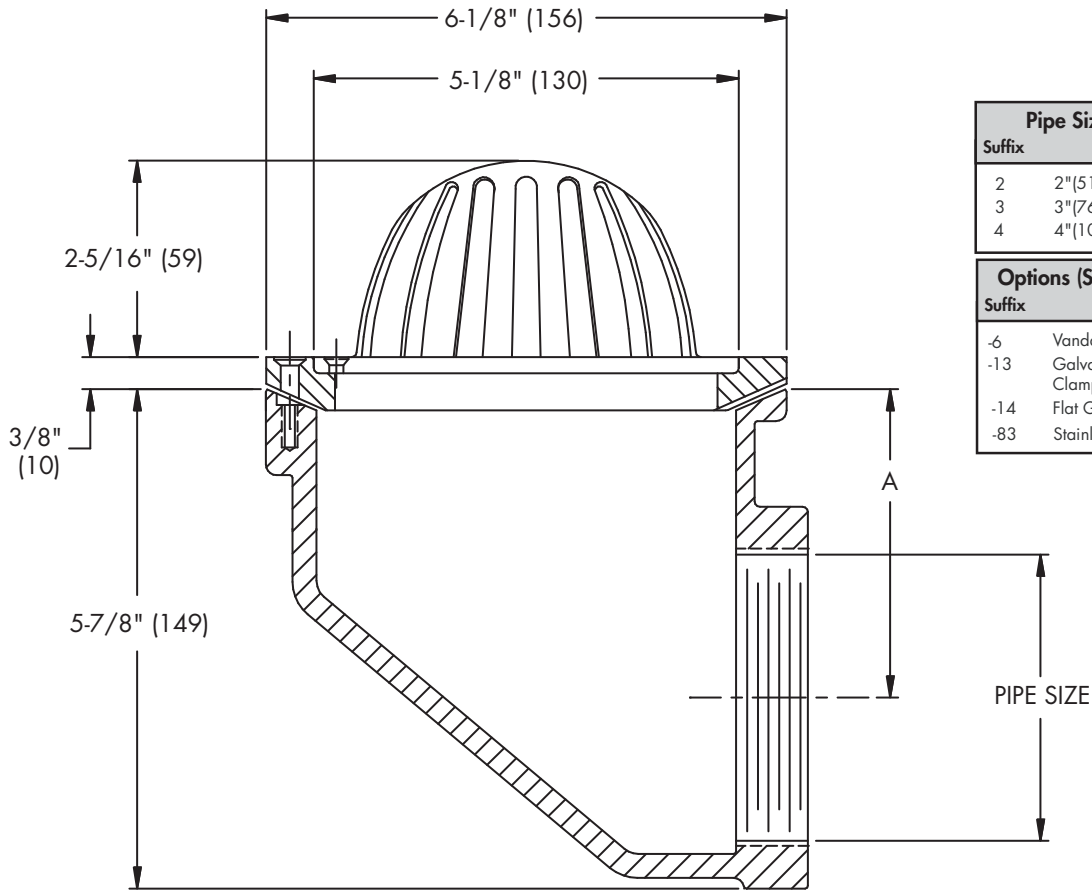




**RD-230**  
Tag: \_\_\_\_\_

**Side Outlet Balcony Drain**

**SPECIFICATION:** Drainage RD-230 epoxy coated cast iron side outlet balcony drain with flashing clamp, cast nickel bronze dome strainer, and IPS threaded outlet.



Pipe Sizing (Select One)		
Suffix	Description	
2	2"(51) Pipe Size	<input type="checkbox"/>
3	3"(76) Pipe Size	<input type="checkbox"/>
4	4"(102) Pipe Size	<input type="checkbox"/>

Options (Select One or More)		
Suffix	Description	
-6	Vandal Proof	<input type="checkbox"/>
-13	Galvanized Body & Flashing Clamp	<input type="checkbox"/>
-14	Flat Grate	<input type="checkbox"/>
-83	Stainless Steel Screened Dome	<input type="checkbox"/>

Free Area Sq. In.
12

**Chart A**

Size	A
2"	4-5/16"
3"	3-5/8"
4"	3-1/8"

Job Name \_\_\_\_\_ Contractor \_\_\_\_\_

Job Location \_\_\_\_\_ Contractor's P.O. No. \_\_\_\_\_

Engineer \_\_\_\_\_ Representative \_\_\_\_\_

Marathon Roofing Products reserves the right to modify or change product design or construction without prior notice and without incurring any obligation to make similar changes and modifications to products previously or subsequently sold. See your Marathon representative for any clarification. Dimensions are subject to manufacturing tolerances.



3310 N. BENZING ROAD • ORCHARD PARK, NY 14127-1538 • PH: (716) 332-7673 • FX: (716) 332-7676  
TOLL-FREE: 800-828-8424 • EMAIL: MRP@MARATHONDRAINS.COM • WEB: WWW.MARATHONDRAINS.COM