

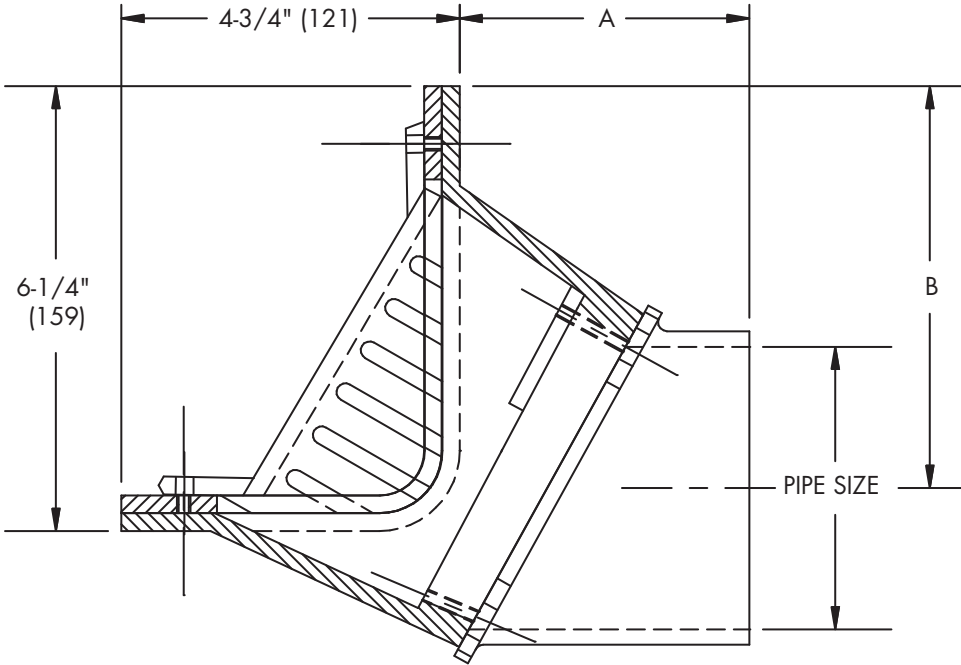


RD-270

Tag: _____

Scupper Drain with Angle Grate

SPECIFICATION: Drainage RD-270 epoxy coated cast iron scupper drain with flashing clamp, secured angle grate, and no hub (standard) outlet.

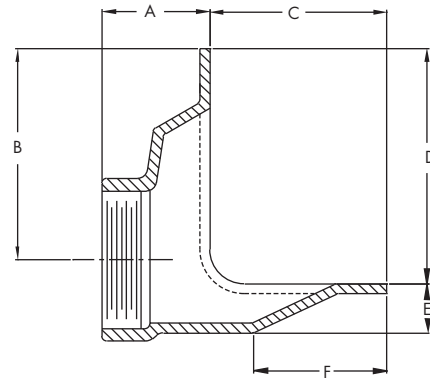


| Pipe Sizing (Select One) | | |
|--------------------------|-------------------|--------------------------|
| Suffix | Description | |
| 2 | 2"(51) Pipe Size | <input type="checkbox"/> |
| 3 | 3"(76) Pipe Size | <input type="checkbox"/> |
| 4 | 4"(102) Pipe Size | <input type="checkbox"/> |

| Options (Select One or More) | | |
|------------------------------|-----------------------------|--------------------------|
| Suffix | Description | |
| -A | 45 Degree Outlet | <input type="checkbox"/> |
| -T | Threaded Outlet | <input type="checkbox"/> |
| -1 | Nickel Bronze Grate & Frame | <input type="checkbox"/> |
| -6 | Vandal Proof Grate | <input type="checkbox"/> |
| -13 | Galvanized | <input type="checkbox"/> |

| Free Area Sq. In. |
|----------------------|
| 15 |

*RD-270T
90 degree
outlet shown



| Pipe Size | NO HUB (MJ) | | THREADED | | C | D | E | F |
|-----------|-------------|-------------|------------|-------------|-------------|---------|------------|------------|
| | A | B | A | B | | | | |
| 2"(51) | 5-1/8"(130) | 6-1/2"(165) | 2-3/4"(70) | 6"(152) | 4-1/2"(114) | 6"(152) | 1-1/4"(32) | 3-3/8"(86) |
| 3"(76) | 4-1/2"(114) | 5-3/4"(146) | 2-3/4"(70) | 5-3/8"(137) | 4-1/2"(114) | 6"(152) | 1-1/4"(32) | 3-3/8"(86) |
| 4"(102) | 4"(102) | 5-1/8"(130) | 2-3/4"(70) | 4-7/8"(124) | 4-1/2"(114) | 6"(152) | 1-1/4"(32) | 3-3/8"(86) |

Job Name _____ Contractor _____

Job Location _____ Contractor's P.O. No. _____

Engineer _____ Representative _____

Marathon Roofing Products reserves the right to modify or change product design or construction without prior notice and without incurring any obligation to make similar changes and modifications to products previously or subsequently sold. See your Marathon representative for any clarification. Dimensions are subject to manufacturing tolerances.



3310 N. BENZING ROAD • ORCHARD PARK, NY 14127-1538 • PH: (716) 332-7673 • FX: (716) 332-7676
TOLL-FREE: 800-828-8424 • EMAIL: MRP@MARATHONDRAINS.COM • WEB: WWW.MARATHONDRAINS.COM